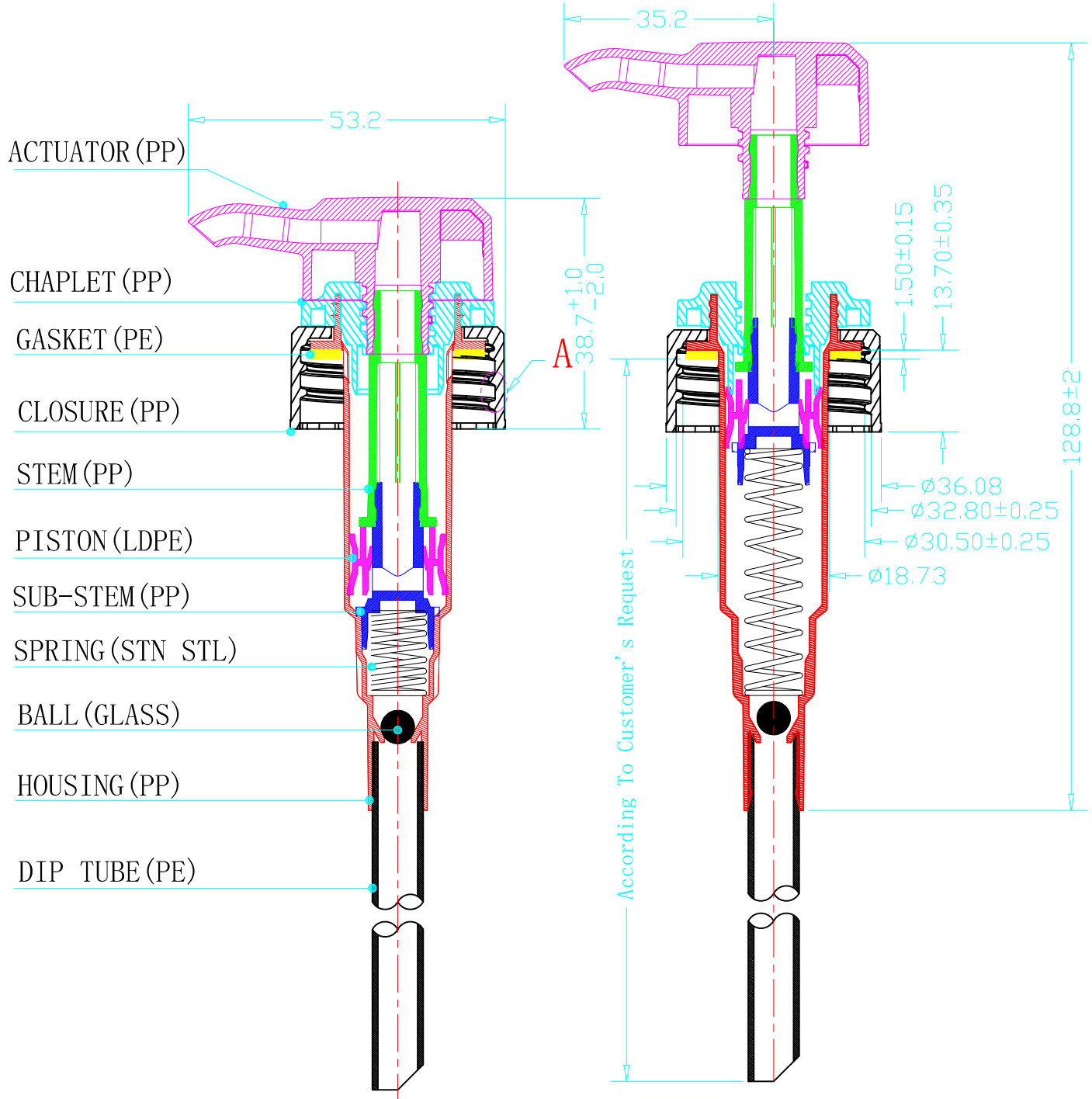
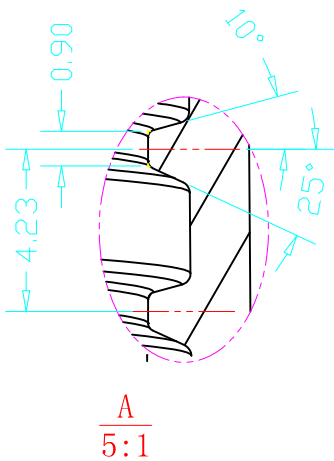



STYLE No. : L509SHV-33/410A



Unmarked Tolerance ±0.5mm



				All Rights Reserved				
		Item		Material		<h2>Assembly Drawing</h2> 		
		L509SHV-33/410A		Version				A0
		Dwg No.		L509SHV-33/410A-A01				Quantity
		Mould No.						Plastic
		Drawing		Y:\				Cav
		Design		ZENGQIKUN 20190601		Unit	mm	
		Adult		MOHENGJIN 20190601		Rate	1:1	
		Approval				Visual angle	⊕	
Marker	Before modification	After modification	Date	Approval		Total 1 page(s)	The 1st page	